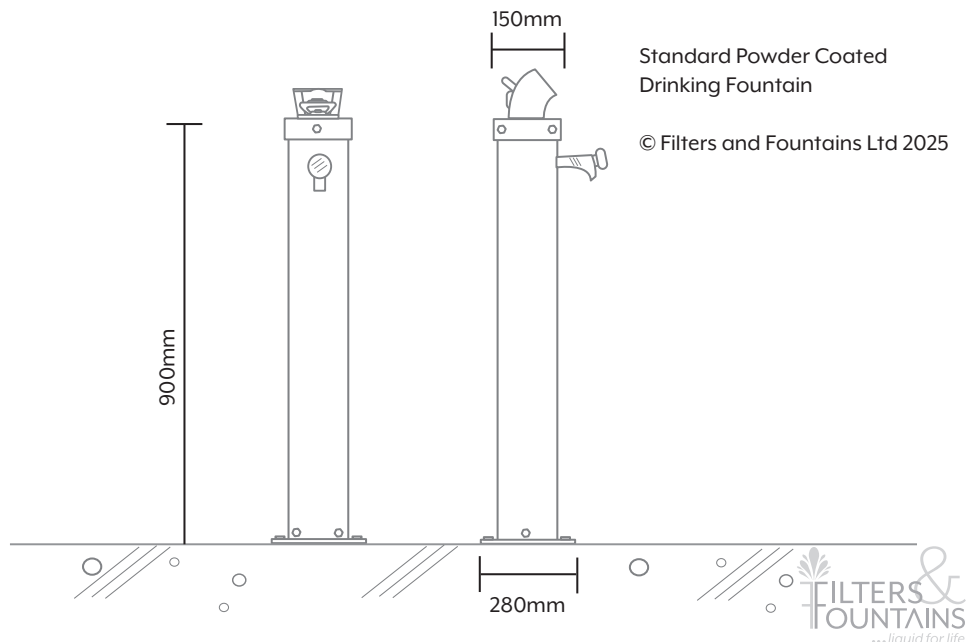


STANDARD POWDER COATED DRINKING FOUNTAIN FF5E

Model: FF5E

FEATURES:

- Coloured drinking fountains.
- Fun meets function.
- Round 150 mm diameter vandal resistant drinking fountain.
- Galvanised and powder coated. (Colour choices available)
- Fully filtered with drinking bubbler and bottle filler.
- Removable vandal shrouds.
- Finished heights at 600 mm to 900 mm.
- Can be surface mounted or concreted in ground.



Dimensions:
600 - 900 mm high.
150 mm diameter.

CONTACT US TODAY:

Free phone 0800 500 545
sales@filtersandfountains.co.nz
101 Onehunga Mall, Onehunga, Auckland

FILTERS & FOUNTAINS
...liquid for life